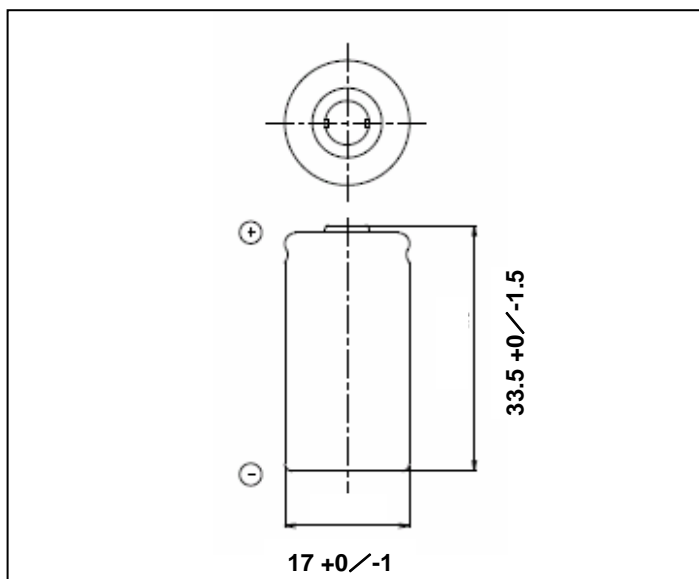


CR-2/3AZ

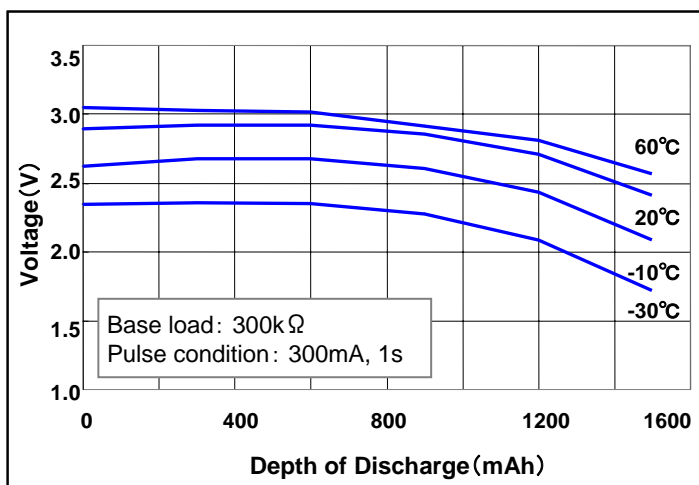
■ Dimensions (mm)



■ Specification

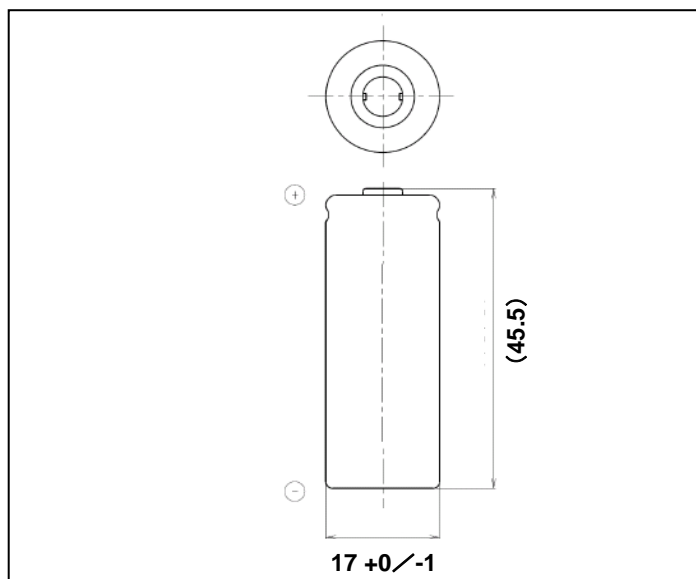
Nominal voltage (V)	3
Nominal capacity (mAh)	1,600
Continuous drain (mA)	2.5
Operating temperature (°C)	-40 ~ +70

■ Discharge temperature characteristics



CR-AG

■ Dimensions (mm)



■ Specification

Nominal voltage (V)	3
Nominal capacity (mAh)	2,400
Continuous drain (mA)	2.5
Operating temperature (°C)	-40 ~ +70

■ Discharge temperature characteristics

